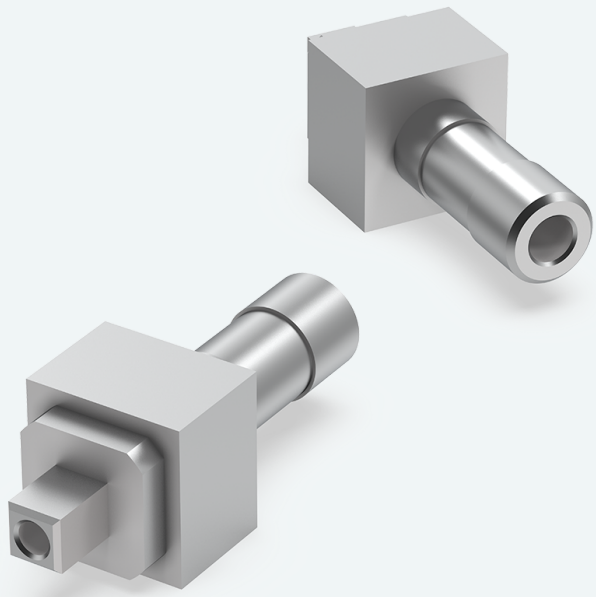


# Benefits of Rubber Holders

[www.oricus-semicon.com](http://www.oricus-semicon.com)

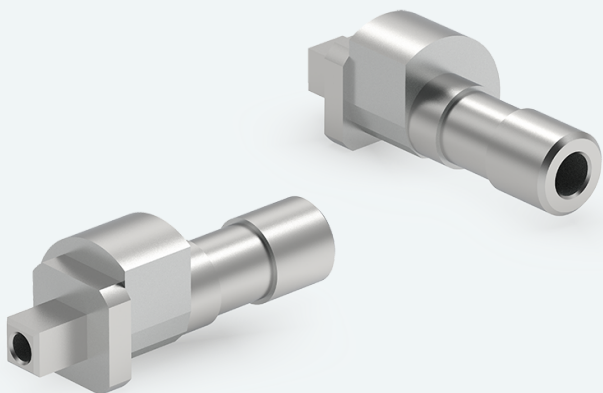
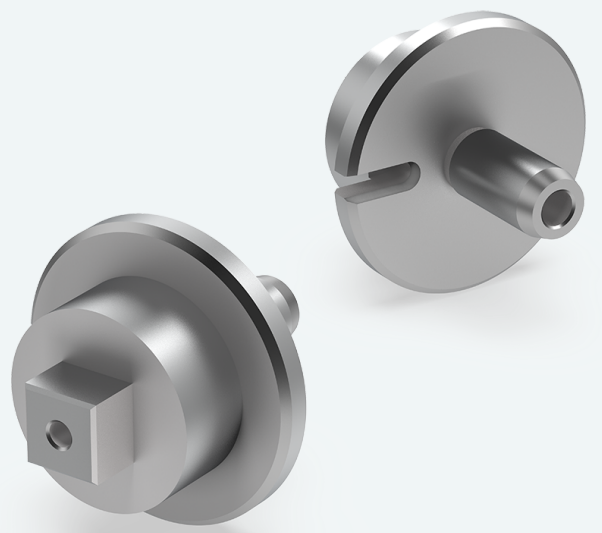


01

Competitive cost as compared to other holder designs

Single holder design that will be able to fit an extensive range of tip sizes and die sizes

02



03

Common Rubber Holders are designed for easy Plug-and-Play into our Rubber Tips to avoid damage to the tip surface

Tool shanks are controlled to tight tolerances to ensure minimal play when installed into the tool holder

04

